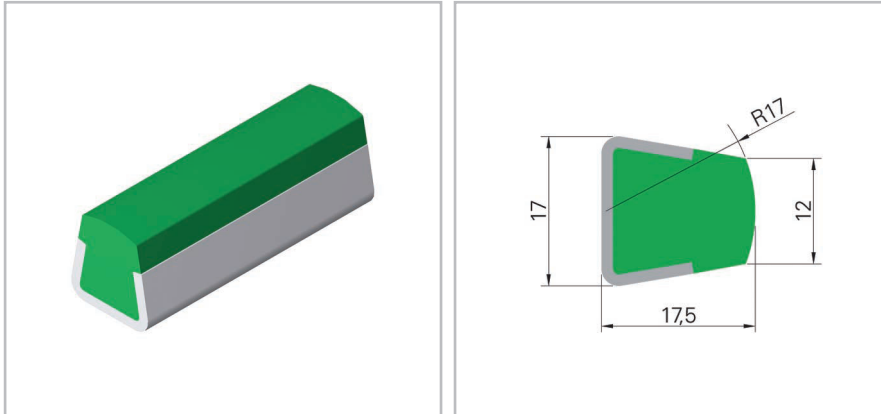


**Description**

Extruded PE profile with an integrated conical stainless steel base. Its high molecular weight provides very good wear and low noise properties, and complements the high chemical and corrosion resistance of the component as a whole. Thanks to its easy and quick assembly, this works well with all types of conveying equipment.

This is used as a guide or sliding support in a wide range of industries such as bottling, packaging, materials handling, and food processing.



**Product data**

Habasit code	Metal profile	Material	Color	Packaging unit
RP CI S 02	AISI 304	UHV	green	Bar
RP CI S 02	AISI 304	UHR	black	Bar
RP CI S 02	AISI 304	UHV	white	Bar
RP CIE S 02	AISI 430	UHV	green	Bar
RP CIE S 02	AISI 430	UHR	black	Bar
RP CIE S 02	AISI 430	UHV	white	Bar

Standard material: Habiplast<sup>®</sup> UHV green and white, and UHR black. Other materials are available on request.

Standard bar lengths are 3 and 6 m.

For detailed material properties and other colors please contact your Habasit representative.

Note: All data are approximate values under standard climatic conditions: 23 °C / 73 °F, 50% relative humidity (according to DIN 50005 / ISO 554).

**Product liability, application considerations**

If the proper selection and application of Habasit products are not recommended by an authorized Habasit sales specialist, the selection and application of Habasit products, including the related area of product safety, are the responsibility of the customer.

All indications / information are recommendations and believed to be reliable, but no representations, guarantees, or warranties of any kind are made as to their accuracy or suitability for particular applications. The data provided herein are based on laboratory work with small-scale test equipment, running at standard conditions, and do not necessarily match product performance in industrial use. New knowledge and experiences can lead to modifications and changes within a short time without prior notice.

BECAUSE CONDITIONS OF USE ARE OUTSIDE OF HABASIT'S AND ITS AFFILIATED COMPANIES CONTROL, WE CANNOT ASSUME ANY LIABILITY CONCERNING THE SUITABILITY AND PROCESS ABILITY OF THE PRODUCTS MENTIONED HEREIN. THIS ALSO APPLIES TO PROCESS RESULTS / OUTPUT / MANUFACTURING GOODS AS WELL AS TO POSSIBLE DEFECTS, DAMAGES, CONSEQUENTIAL DAMAGES, AND FURTHER-REACHING CONSEQUENCES.